

MAKE YOUR OWN CAR COLLECTION

1915 MODEL T

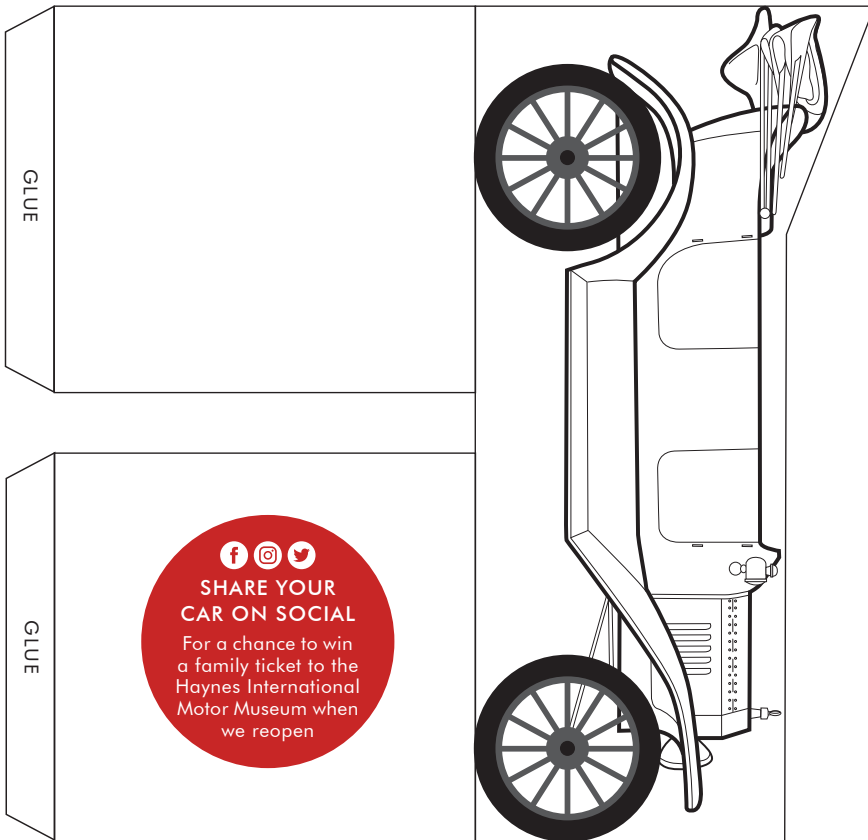
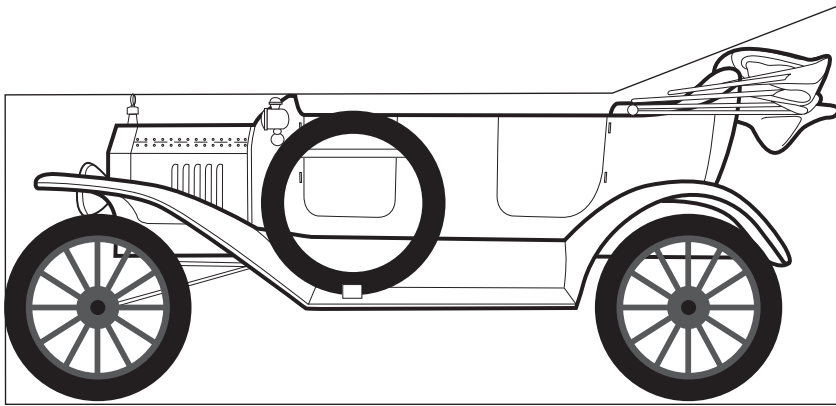
YEAR: 1915

ENTERED HAYNES COLLECTION: 1988

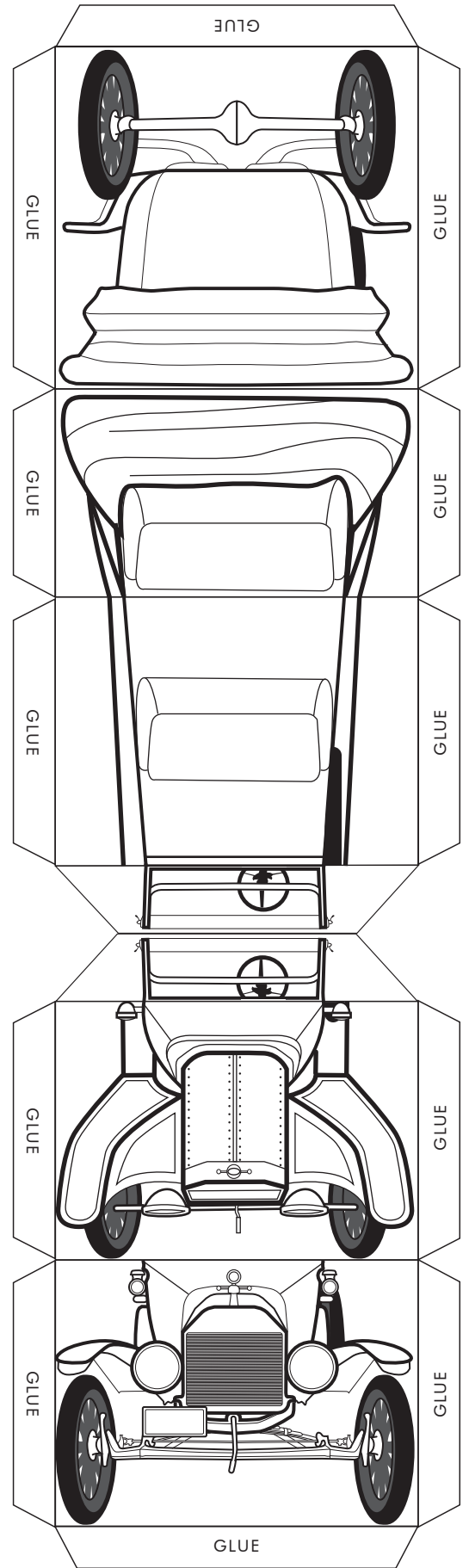
SPECIAL FEATURES: It has a 4 cylinder 2.9 litre engine, which gave it a top speed of around 45 mph and an mpg of 25-30.

FUN FACT: Over 300,000 were produced by Ford in the UK, and its original sale price was £160.

HAYNES
INTERNATIONAL
MOTOR MUSEUM



  
**SHARE YOUR
CAR ON SOCIAL**
For a chance to win
a family ticket to the
Haynes International
Motor Museum when
we reopen



HOW DID YOU GET ON? Show us your fantastic colouring and design skills

#HaynesAtHome #MuseumFromHome

